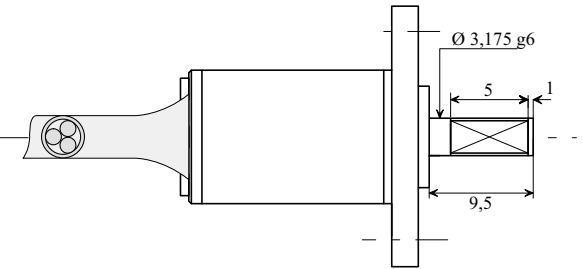
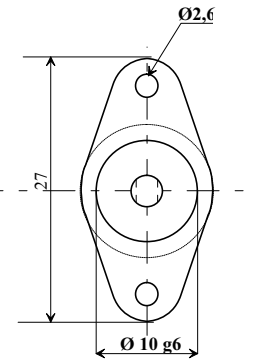
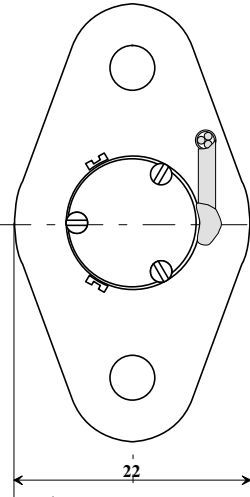
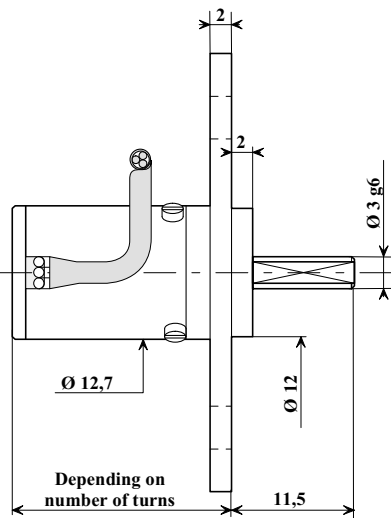
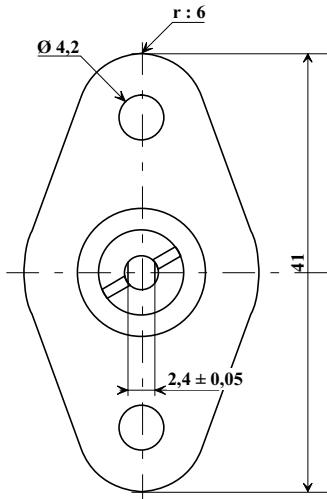
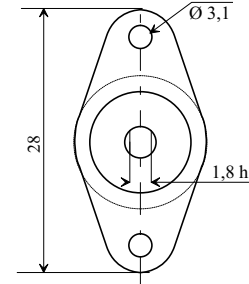
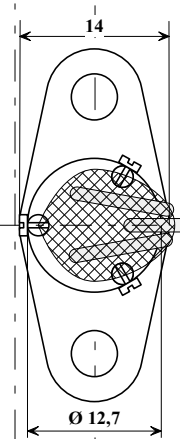
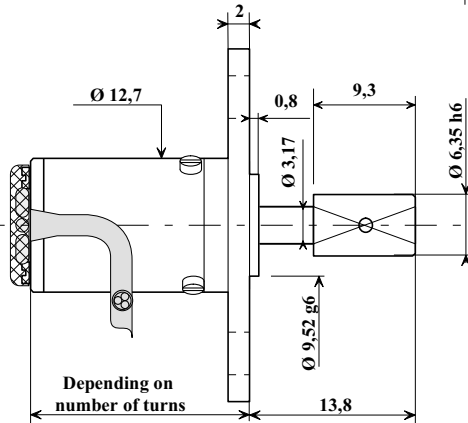
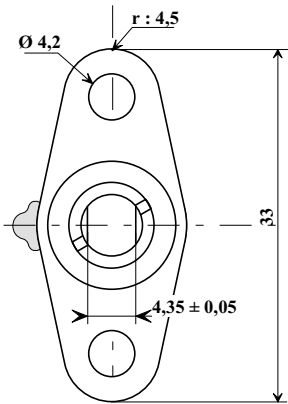


Multiturns Potentiometers

Wirewound technology



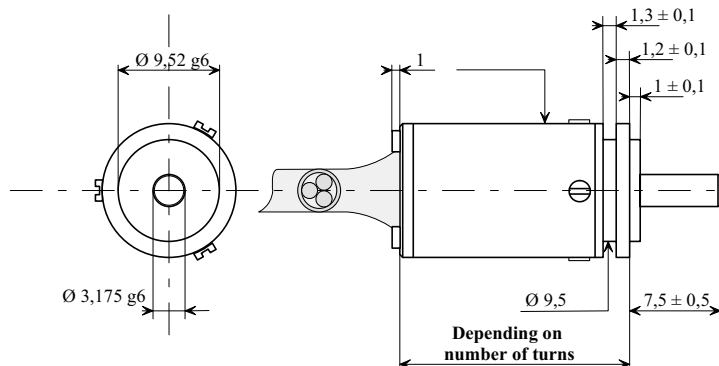
A/V shaft : see RP-FIA



MAIN CHARACTERS

- *Housing and flange in AP1D (Inox steel)
- *Shaft in Inox Steel AISI 303
- *Bearing: Rust-proof Ball bearing
- *Wiper in "Métal précieux"
- *3 Wire output type KZ0504 26 AWG length: TBD
- *Protection with DR25 or Viton Ø 1/8
- *Without electronic components

DESIGNATION	UNIT	VALUE	TOLERANCE
-Number of tracks		1	
-Resistance of each element	Ohm	4700 (720°)	+/- 10%
-Temperature range	° C	-55 à + 125	
-Running torque	Cm.CN	50	60 Maxi
-Functions		Linéar	
-Electrical travel	Degree	From 2 to 5 turn	± 2
-Mechanical travel	Degree	3 or 5 turn	
-linearity (half voltage point reference)		< +/- 0,5%	
-Resolution (spiral per degree)		1,6 sp/°	
-Dielectric with standing voltage	Volt	> 750V/50 Hz	
-Insulation resistance by 500Vcc	Mégohm	> 1000	
-Excentricity of the shaft	Micron	30	Maxi
-Radial tolerance under 2,5 N	Micron	50	Maxi
-Axial tolerance under 2,5 N	Micron	150	Maxi
-Sealing	IP 55		
-Weight	Gramme	<30	



Games Potentiomètre

TOL GEN	EXECUTANT	DATE
	JCM/SF	11-2007
ECHELLE	FORMAT	
No scale	A3	



104, Rue de Malcouture
95100 ARGENTEUIL
FRANCE
Tel: 01.39.82.50.04
Fax: 01.39.80.18.71

PLAN SEMIP N°: MP-FIA

Ind

01